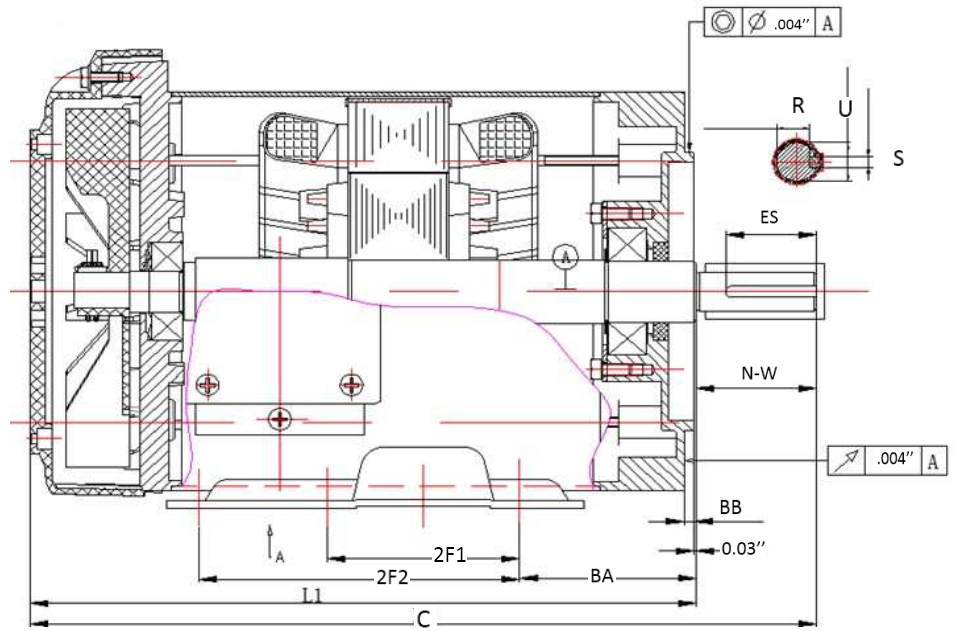
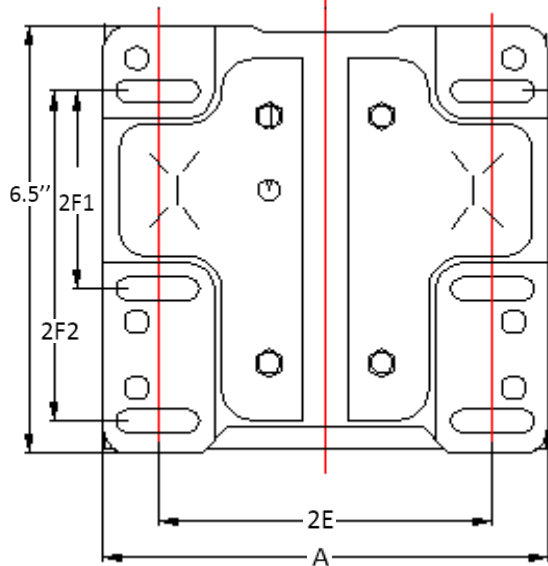
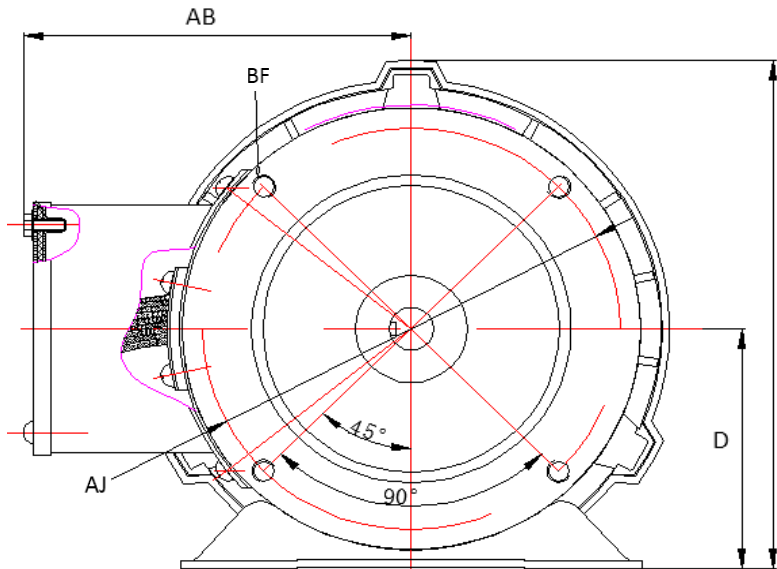
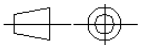


Orientation



Frame	D	2E	E	2F1	2F2	H (Slot)	U	BA	N-W
56HC	3.5"	4.88"	2.44"	3.00"	5.00"	.34"	.625"	2.75"	1.88"
	AJ	AK	AK	BB	BF	O	AB	A	
	5.875"	4.50"	4.50"	0.16"	4 * 3/8"-16	7.44"	5.47"	6.5"	
	R	ES	S	L1	C				
	.517"	1.42"	.188"	10.38"	12.38"				

HP	RPM	VOLTAGE	FLA	SF	WGT lb	MQR-154CW
1.5	1725	208-230/460	5.8-5.2/2.6	1.15	30.9	All In One 56HC TEFC

Revised: Feb. 2015

MaxMotion